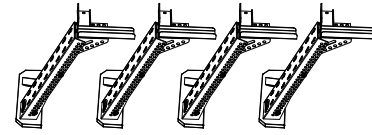


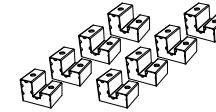
Wild Land Truck Tower System

Installation manual

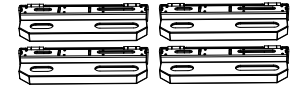
Accessories List



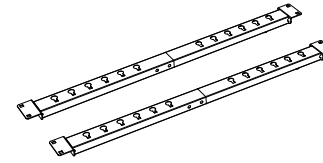
Supporting bars x 4



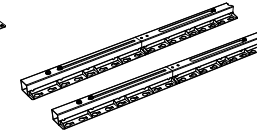
Bottom fixing clips x 8



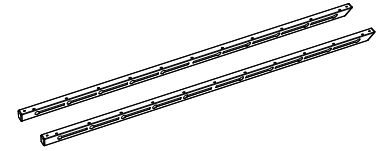
Bases x 4



Outer lateral bars x 2



Top connecting tubes x 2



Cross bars x 2



M12 spring washers x 8



M12 flat washers x 8



M12*60 hexagon socket head cap bolt



M8*20 head square bolt x 8



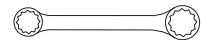
M8 Hex nylon lock nuts x 20



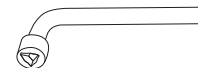
M12 wrench x 1



M8 wrench x 1



Wrench x 1



Anti-theft screw wrench x 1



M8*20 Hexagon socket screw with pan head 5PCS



M8 flat washers 5PCS

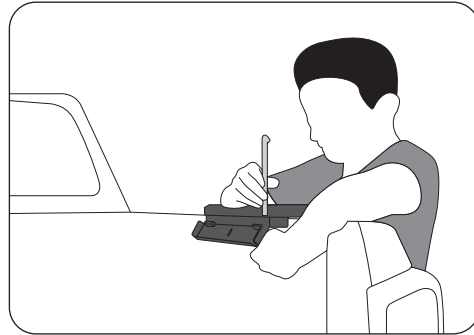
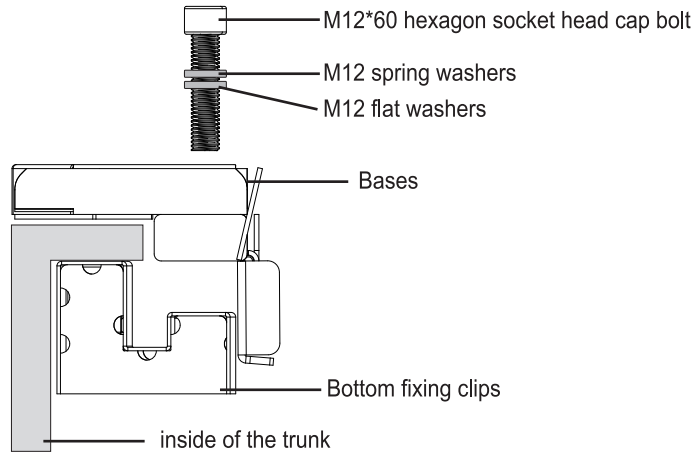


M8 spring washers 5PCS

Installation procedure

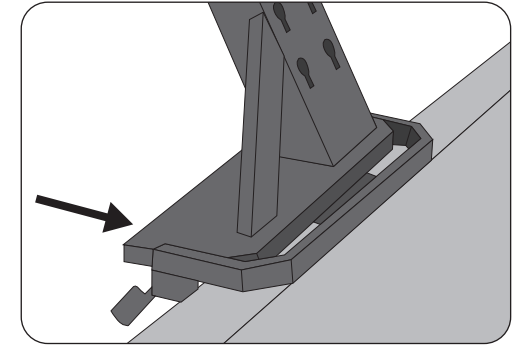
1. U-shaped clip and M12*60 hexagon head socket head cap screws + M12 flat washer and spring washer, and put into the base mounting hole.

Fasten the four bases to the upper planes of the left and right side doors of the cargo box (make sure the left and right bases have the same starting point and spacing, The minimum spacing is 50cm).

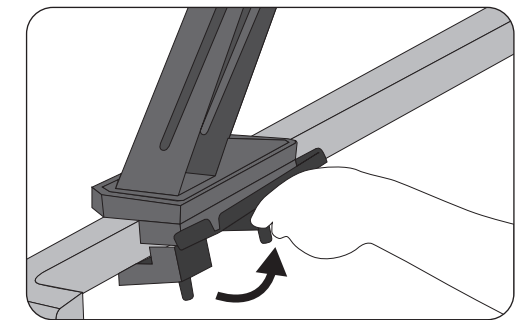
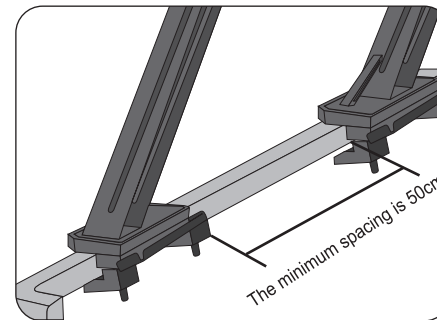


Installation procedure

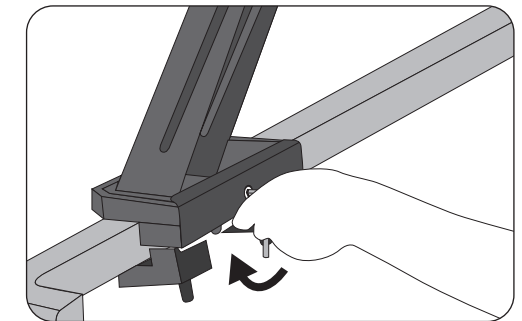
2. Slide the lower support bar into the slot of the base in sequence (the triangular supporting tubes are toward oppositely in front & rear, left & right).



3. Close the base flap.

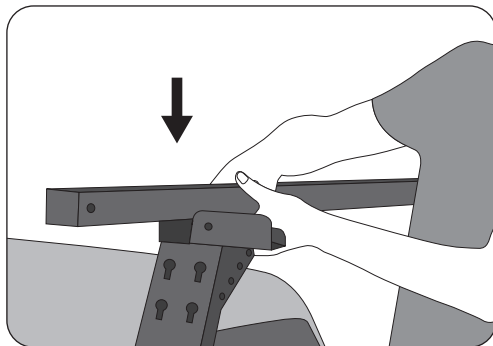


4. Fasten the four base anti-theft screws.

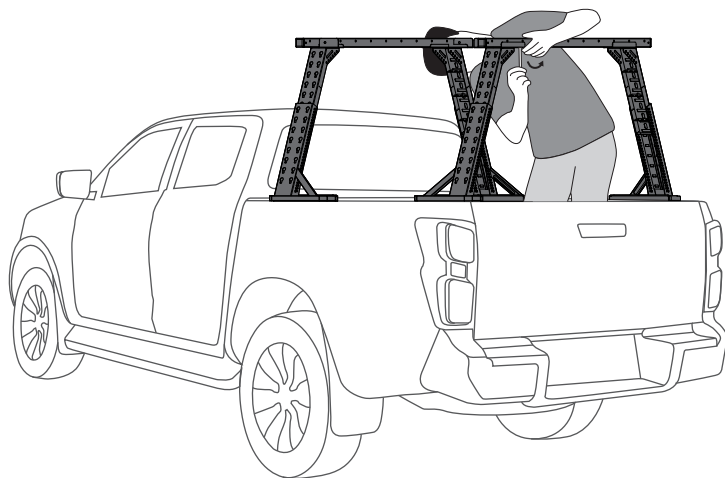


Installation procedure

5. Put the front and rear crossbars into the U-shaped grooves of the upper support rod, and toggle the U-shaped nut plate in the crossbar to ensure that the holes of the nut plate are aligned with the corresponding screw holes of the upper support rod.

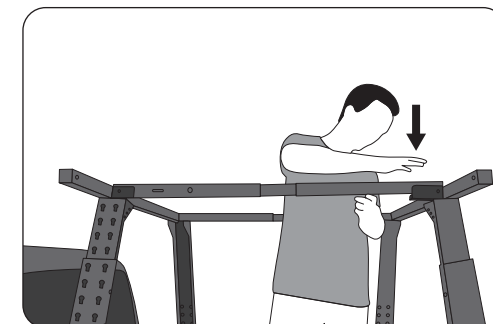


6. Fix the front and rear crossbars with M8 screws.

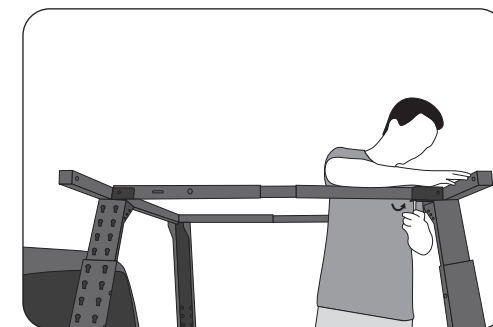
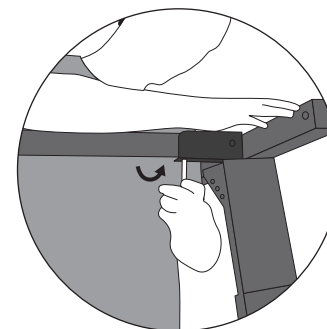


Installation procedure

7. Loosen the adjusting screw of the top connecting tube, and insert the left and right top connecting tubes into the related U slot of the upper support bar respectively.

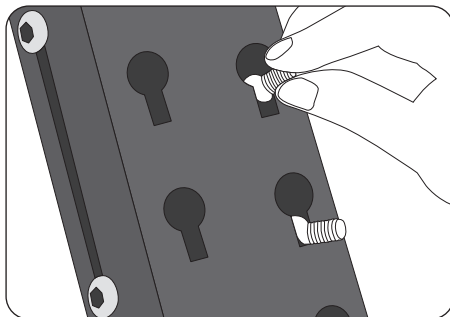


8. Fix the left and right top connecting tubes with M8 screws.

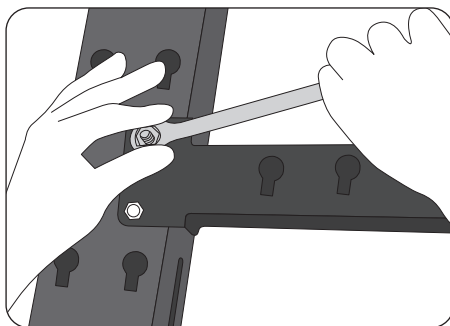
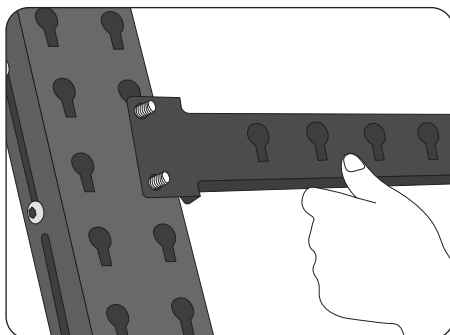


Installation procedure

9. Loosen the adjusting screws of the left and right side bars and insert the M8 square bolts in the head direction into the slots of the upper (lower) support bar, making sure that the square part is stuck into the rectangular slot of the support bar.

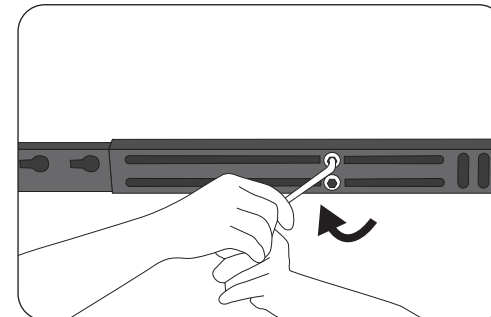


10. Insert the M8 square bolts into the corresponding holes on the left and right expansion bars, screw the M8 locknuts into the square bolts and tighten them.



Installation procedure

11. Lock the adjusting screws of the left and right expansion bars.



12. Check again that all bolts are locked in place, and all connection parts have no shaking and loosening. Then the installation process is done!

